



CONVERTIBLE POWERED FLOOR/WALL REGISTER

C450 – Floor/Wall Grill System Specification

Date: 7 Nov. 2015

1. General

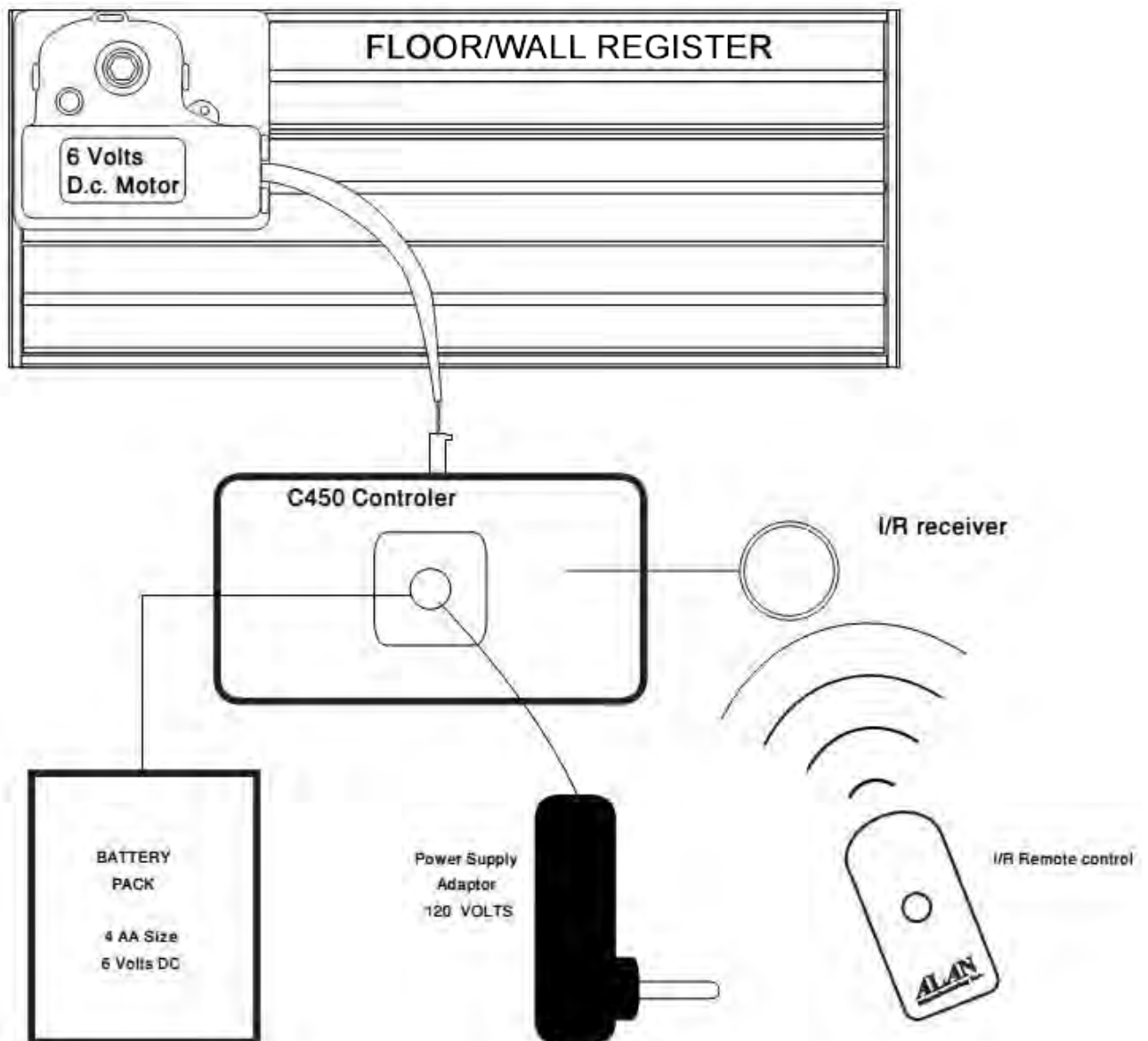
The C450 Floor/Wall grill system is based on wireless operation.

The system is composed of Control board, Infra Red Receiver, Infra Red Remote control, Motor assembly and Power supply Adapter or Battery pack with 4 AA size 1.5 Volts batteries.

The main task of the system is to open or close the grill in air duct system.

This controller is operated by an IR Receiver that receives Infra red signals from I/R hand-held remote Control.

2. System Layout



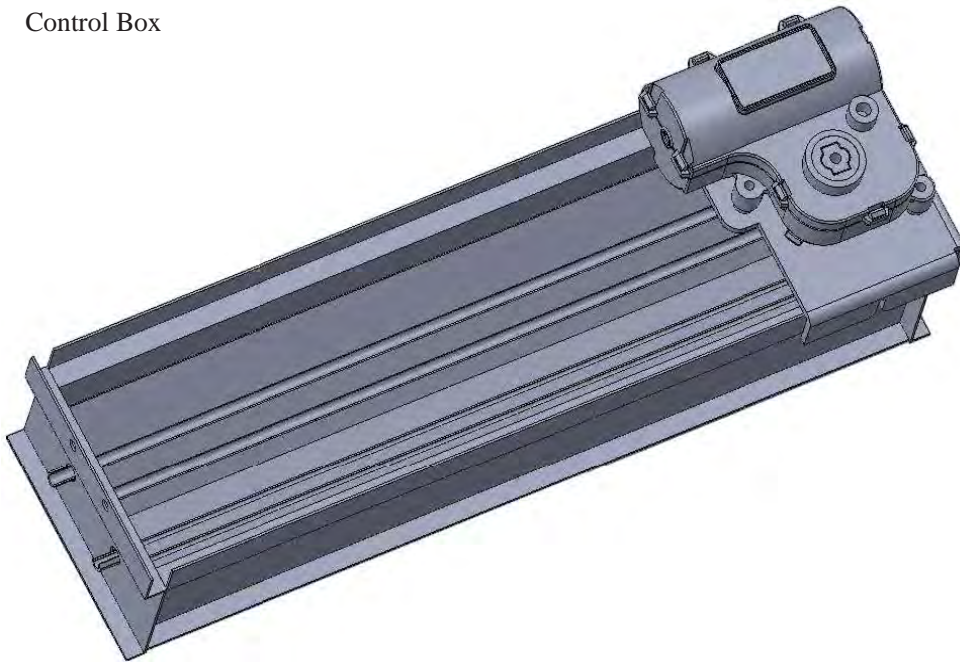


CONVERTIBLE POWERED FLOOR/WALL REGISTER

3. System Elements:



Control Box



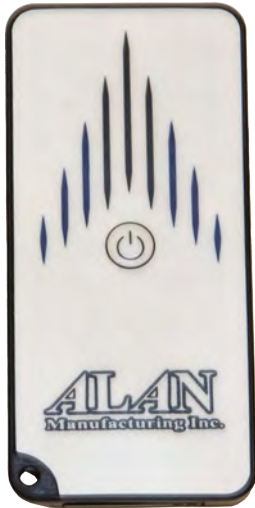
Floor/Wall Grill



Motor



CONVERTIBLE POWERED FLOOR/WALL REGISTER



Remote Control



Battery Pack



Adapter – Power Supply

4. Features

- Open/Close Grill damper.
- Wireless system.
- Operation from 120 Volts Adapter or battery pack. (with low battery indication).
- System operates the same, using Line voltage adapter or Batteries pack.

5. General Specification

- Supply voltage: 120 Volts AC to 5Vdc Adapter.
- Batterypack of 4 AA size 1,5V alkaline batteries.
- Batteries life – approx. one year.
- Motor – 6 Volts DC.
- Consumption: 100 mA max @ 5 VDC
- Operating temperature range: 14°F (-10°C) to 158°F (+70°C)
- Operating humidity range: 5~90 % RH
- According to applicable ULC standards.

6. System Elements

6.1 Line voltage adapter kit.

- 120 VAC to 5 VDC Adapter.

6.2 Battery operation kit.

- Pack of 4 AA size 1.5 Volts Alklaine batteries.

7. Installation

- The system gets power both from either the line voltage adapter or from the battery pack..
- Depending on the kit that was ordered, Plug either the line voltage adapter or the battery pack into the control box socket.
- Install the Floor damper. Be sure the mechanical moving parts are free from interference.
- Install the Infra Red receiver in a place where it can be seen from the outside.
- Test, Use the hand-held remote control to operate and test the operation.
- Check that the damper moves from full open to full close position.



CONVERTIBLE POWERED FLOOR/WALL REGISTER

8. Operation

To operate the damper, press the button on the remote. It will beep and the motor will move.
Press the button a second time and the direction will reverse.

It is a cyclic operation.

Every press on the button gives opposite direction command to the damper.
(If it is closed – it will open. If it open – it will close.)

Note:

If the batteries of the Damper Motor are low,
When the remote control sends a command, the buzzer will beep twice instead of once, replace the batteries in the battery pack.

If the battery at the remote control is low, you can send command from a shorter distance to the Grill.
Then replace the battery with CR2032 coin battery.

9. Mechanical

- Motor Assembly Dimensions - 2 3/4" x 2 3/4" x 1 3/4"
- Control Box Dimensions - 2 1/8" x 1 1/4" x 3/4"
- Battery Pack Dimensions - 2 3/4" x 2 1/2" x 3/4"
- Adapter – Power supply Dimensions - 2 1/2" x 1" x 1 1/2"
- Remote control Dimensions - 1 1/2" x 3 1/2" x 1/4"